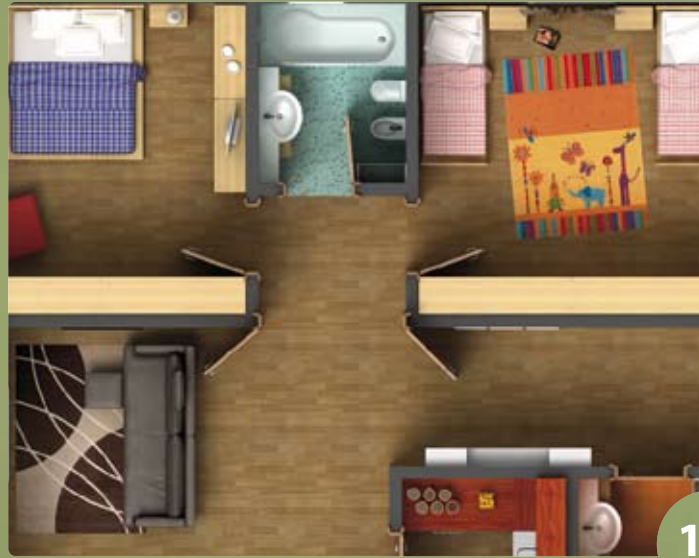


COMPACK® DOORS
CUT SWING SPACE IN HALF



AND SMALL SPACES GET BIGGER

Constantly dedicated to product innovation, Celegon introduces COMPACK®, a door technology developed through the contributions of one of the most brilliant and successful Italian designers, Massimo Bonetti. Like the Ergon rototranslating technology, the COMPACK® system represents another technical solution that can reduce door clearance needs by up to 50%. COMPACK® makes it possible to design previously impossible layouts, opening up new possibilities in space usage and new furnishing possibilities even in cramped quarters.



Layout 1 a floor plan using normal swinging doors.
Layout 2 COMPACK® living system makes it possible to significantly increase usable space in a given floor plan and eliminate conflicts between adjacent doors.



MADE IN ITALY



COMPACK®
L I V I N G

CELEGON
30035 Mirano (Venice - Italy) | Via G. Galilei, 6 - Z.I.
T +39 041 572 8404 | F +39 041 572 8522
www.compackliving.com | info@compactliving.com

+ MORE
FREE SPACE

50%

- LESS
SWING SPACE





SOLUTIONS FOR ALL NEEDS

COMPACK® living is a revolutionary system that reduces door clearance needs and maximizes usable space. Areas around doorways can be redesigned to make more of the room area usable.

No more problems of conflict between adjacent doors.

The door folds in half against the wall, reducing space needs by 50%. When closed, the door becomes a single element similar to a normal one-piece door. The door closes against a rabbet on the two sides and across the top.

PERFECT FOR ALL NEEDS HOLLOW OR SOLID CORE

Compack hardware has been designed for installation on traditional folding door panels and on any structural fitting of the panel.

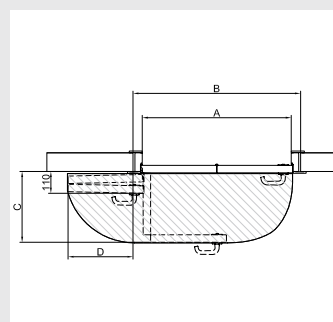
COMPACK® living is a kit that will revolutionize your concept of door. It opens up new interior design frontiers, making more space available in cramped quarters.

COMPACK® is a functional alternative to all types of doors.

No modification of the walls is necessary.

COMPACK® living DOOR SYSTEM

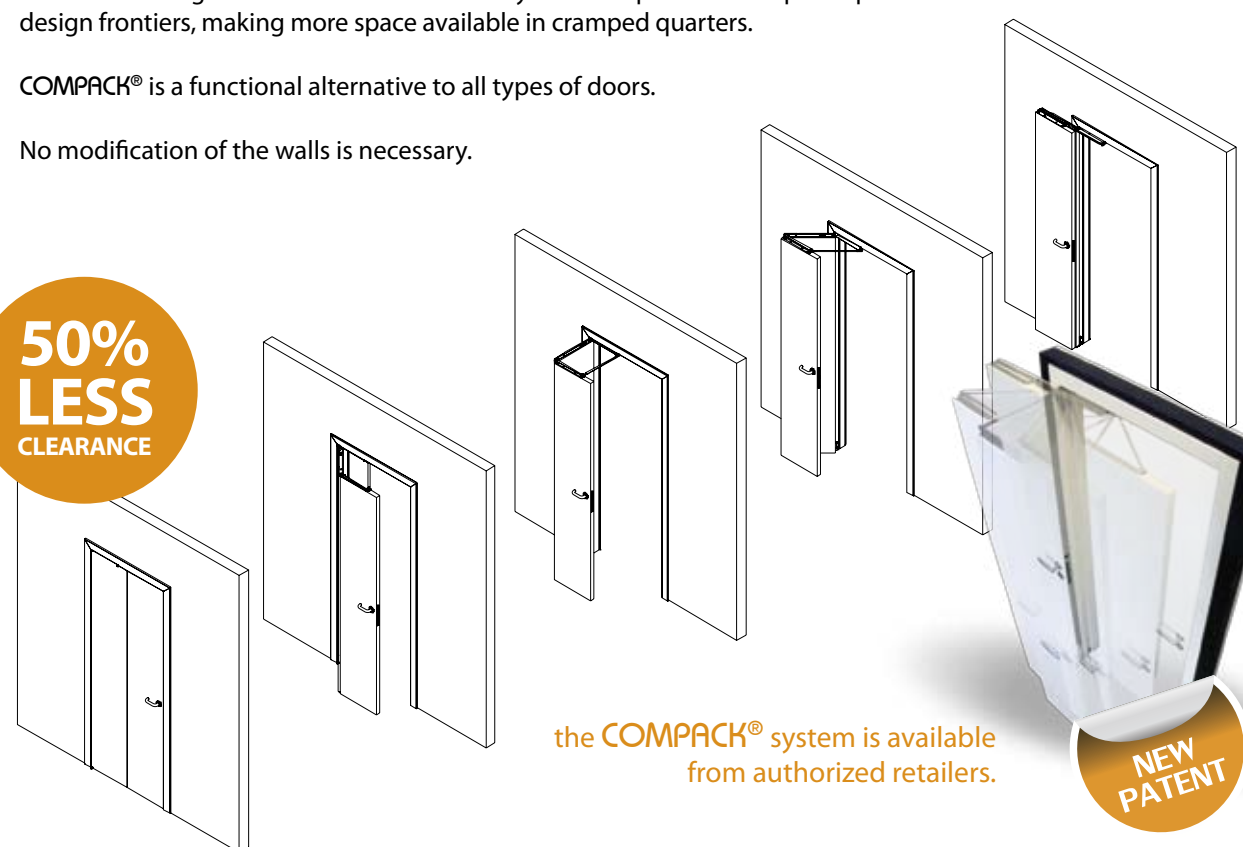
Example dimensions with door leaves:



LARGHEZZA

Passage dimension	A	600	700	800	900	1000
Wall hole width	B	700	800	900	1000	1100
Maximum door swing clearance	C	355	405	455	505	555
Maximum space needed by fully open door	C	355	405	455	505	555

50% LESS CLEARANCE



the COMPACK® system is available from authorized retailers.

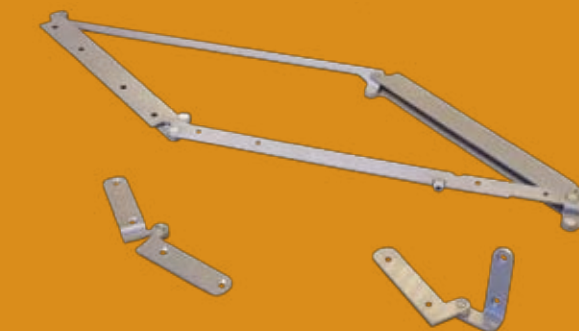
NEW PATENT

COMPACK®

PATENTED MADE in ITALY AN EXCLUSIVE CELEGON PRODUCT

COMPACK® living is a door technology that opens up new interior design frontiers, making more space available even in cramped quarters.

COMPACK® living is a functional alternative to all types of doors. No modifications to walls are necessary. There are no sliding or rolling members, the door moves fluidly without a sound. Prolonged use does not compromise the quality of the movement.



LONG-LASTING RELIABILITY

TESTED THROUGH OVER 100.000 OPEN-CLOSE CYCLES

COMPACK® hardware provides a stable, silent and ergonomic door movement.

The door closes against a rabbet on three sides, ensuring an excellent acoustic seal.

A TECHNOLOGY ADAPTABLE TO EVERY SITUATION

No modifications to walls and no added costs with respect to more traditional door systems: COMPACK® living is an excellent choice, and also economical thanks to the easy-to-use kits.